

# VET-20

Light weight portable X-ray

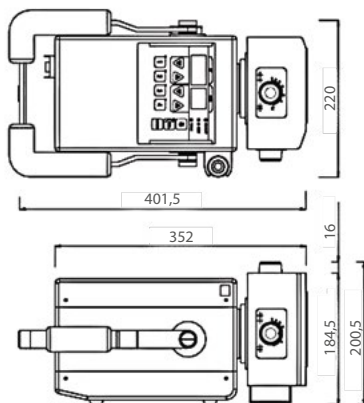


- Light weight and compact size with durable cover
- Constant X-ray output without influence of line power fluctuation
- Auto distance control by dual laser beam
- Equipped with remote control functions by hand switch
- Flat operation touch panel with LCD display
- Strong body against external shock and contamination

## Specifications

Model	VET -20	
Output	Tube Vol./Current	100 kV / 20 mA
	Voltage range	40 - 100 kV in 1 kV steps
	mAs Range	0,3 - 50mAs, 22 steps
	Max. output	1,6 kW at 80 kV
X-ray tube	Application	Toshiba D - 124
	Focal Spot	1,2 mm
	HU capacity	20 kHU
	Cooling rate	250 HU / sec
Collimator	Min. Light field	5 cm x 5 cm @ 1 m SID
	Max. Light field	35 cm x 35 cm @ 65 cm SID
	Lamp	LED
	Auto Timer	30 sec.
	SID scale length	2 m
	Laser Pointer	dual laser
Power	Input	220 / 240 V
	Frequency/phase	50 / 60 Hz, single phase
	Voltage comp.	± 10 %
Control Panel	7 - segment LED read out reversible, Hand switch remote control function	
PROM Memory	4 APR	
Weight	9,8 kg	
Dimensions	220 x 200 x 352 mm	

## Dimensions



## Optional Accessories

### PXMS - 1800 Mobile Stand



### Veterinary X - ray Table TKF



### Standard Accessory Carrying Case



Im Erlengrund 20, 46149 Oberhausen - Germany

t: +49 (0) 208 377 890-0 info@medical-econet.com  
 f: +49 (0) 208 377 890-55 www.medical-econet.com  
 facebook.com/medicaleconetgermany  
 twitter.com/medicaleconet

CE 0123

**WOLVERSON XRAY**  
 Imaging excellence

Willenhall Business Park,  
 Walsall Street, Willenhall, West Midlands, WV13 2DY  
 T: 01902 637333  
 E: enquiries@wolversonx-ray.co.uk  
 W: www.wolversonx-ray.com

\*Changes and errors without notice.

ME-ENG-V2S-OEMVET20-03-18