

TS85TE

Radio-tomographic unit with on-floor sliding tubestand and elevating top panel bucky table



Main features

- On floor track mobile tubestand in connection with a bucky table with elevating patient table top.
- Tube movements in height and along the longitudinal and transversal (option) ways.
- Manual movements with mobile parts balanced by counterweights, electromagnetic brakes.
- Column rotation around its vertical axis and tube rotation around the horizontal axis.
- Floating patient table top with adjustable height.
- Under table bucky carriage movable by hand grip and lockable by an electromagnetic brake.
- Foot pedals control for the up/down motorized movement and for the table top electromagnetic brakes.
- Max. admitted patient's weight: 150 kg.
- Push buttons control panel on the tube side with control for brakes and for the motorized movements.
- LC Display showing the equipment working conditions and goniometer for the incidences value reading.
- Tomo bar composed of two parts easily detachable and bentable under the arm tube support.

Technical features

Longitudinal rail	
• Length	220 cm
Column	
• Longitudinal travel	162 cm
• Movement / braking	manual and by motor / electromagnetic
• Angle of rotation around the vertical axis	± 90°
• Rotation unlocking device	mechanical by foot pedal
Tube hand support	
• Focus to floor min. distance	53 cm
• Vertical travel	140 cm
• Movement / braking	manual balanced by counterweights / electromagnetic
• Transversal travel (option)	± 10 cm
• Angle of rotation around the horizontal axis	± 90°
• Angular positions put in evidence	every 90°
• Locking devices	electromagnetic brakes
Control box	
• Grips for movements	on the control box sides
• Brakes and motorized movements control	by push buttons
• Table top up / down remote control	on the control box
• Features and working conditions visualization	LC Display with 40+40 characters
• X-Ray beam incidence indicator	goniometer
• S.I.D. in Tomo for any position in height of the table top	105 cm
• Sweeping angles	8°/20°/30°/40°
• Sweeping times	0,3/0,6"-0,75/1,5"-1,15/2,3"-1,5/3"
• Layer variation	from 0 to 25 cm
Patient table top	
	plastic laminated sheet
• Longitudinal travel	110 cm (55 cm each side)
• Longitudinal travel (with anticollision device)	90 cm (45 cm each side)
• Transversal travel	24,5 cm (+13 / -11,5 cm)
• Braking by foot control	electromagnetic
• Patient's max weight allowed	150 kg
• Table top to film distance	7 cm
• Table top to floor minimum distance	53 cm
• Table top height variation	32 cm
• Average speed	3 cm/s
• Absorption according I.E.C. 60 601-2-35	0,9 mm Al eq
Bucky carriage	
• Longitudinal travel	50,5 cm
• Locking device	electromagnetic brake with push button control
Power requirements	
	single phase
• Line voltage / frequency	230 (220/240) Vac 50/60 Hz
• Max. absorbed power	700 VA (collimator lamp included)
Standard colour	
• Painted parts	RAL 9002
• Adhesive overlays	Pantone Verde 553U
Weights	
• Floor rail	70 Kg
• Stand	130 kg
• Table	280 kg
Equipment identification	
• Classification	class I - type B
• Typology of installation	permanently connected
• Working mode	continuous with intermittent load
Standard compliance	
1.Safety	EN 60 601
2.Electromagnetic compatibility	89/336 European Directive
Transport and stock environment	
• Temperature range	-15 °C to 60 °C (5 °F to 158 °F)
• Relative humidity range (without condensing)	10% to 90%
• Atmospheric pressure range	500 hPa to 1060 hPa
Operating environment	
• Temperature range	10 °C ÷ 40 °C (50 °F to 104 °F)
• Relative humidity range	30% ÷ 75%
• Atmospheric pressure range	700 hPa to 1060 hPa

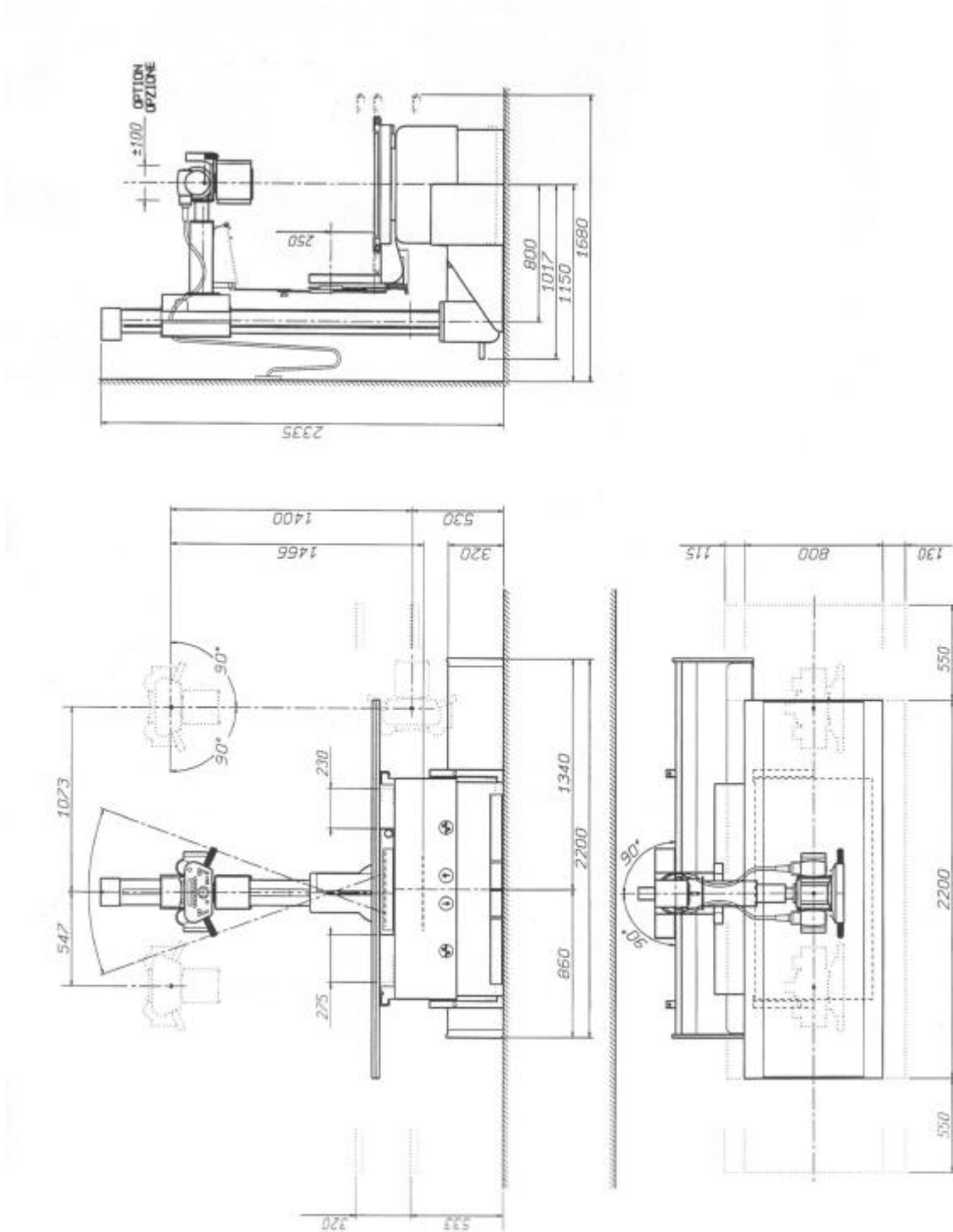
Accessories that complete the equipment

	Manual collimator / electronic timer / bucky light
PB0LRE	Bucky / cassette tray for sizes up to 35x43 cm
KGB104	Grid DF=100cm R=10:1 40L/cm

Accessories

Options

ZA0011	Compression band with ratchet	96M000	Tube support transversal movement of +/- 10 cm
ZA0012	Pair of patient hand grips	ETA001	Table top of low absorption (0,45 mm Al eq.)
ZA0013	24x30 cm articulated lateral cassette holder	ETA003	Table top anticollision device
ZA0014	35x43 cm lateral cassette holder		Floor rail of 280 cm instead of 220 cm
CTA004	Flebo support		Floor rail shifted on the left side
CTA020	Flebo support fixing clamp		P.B.L. Positive beam limitation
ZA0015	Pair of leg support		Bucky with automatic cassette loading
			AEC automatic exposure control device



M.T. Medical Technology S.r.l. Via Gioberti, 2 – 20053 Muggiò MI

☎ 39 039 2781473

e-mail mt@emmetisrl.com

☎ 39 039 2781482

