



STEPHANIX RADIOLOGICAL SOLUTIONS – SEE THOROUGHLY, INSURE SAFETY

MOVIX SERIES

MOTORISED X-RAY MOBILE UNIT



Supplied by Wolverson X-Ray LTD

www.wolverson.uk.com

Tel. 01902 63733



WOLVERSON

OVERVIEW

STEPHANIX leads the market with the most powerful range of motorised mobile x-ray unit from 20 kW to 50 kW. The **Movix series** is lightweight shaped and narrowed designed for gliding through busy hallways and offers optimal mobility at bedside.

Movix Series is suited for ER, ICU, bedside and paediatrics examinations, everywhere x-ray is needed.

MANOEUVRABILITY



With its compact size and integrated motor, the **Movix series** easily masters obstacles and inclines.

- A pressure sensitive driven handle allows controlling the speed of the mobile. The **Movix series** stops by release it.
- The **Movix series** speed goes up to 5 km.
- Thanks to its design and advanced features, the unit can climb an incline of 5 °.

- The safety bumpers (at the front of the unit) stop the **Movix Series** when it reaches obstacles to prevent from any disruptive collision during routine travel.



EFFORTLESS

The **Movix series** is widely praised for the high level of operability and at any point of the bed.



- *Wide covering:* The **Movix series** has a total stroke of its ultra long telescopic arm up to 125 cm.
- *Simple positioning:* The **Movix series** can move forward and backward by using moving controls located at the x-ray assembly. Thanks to the controls, patient positioning is easier and faster.

- The new console is ergonomically shaped and intuitive: with anatomical, battery charge indicator, ignition key and emergency stop.



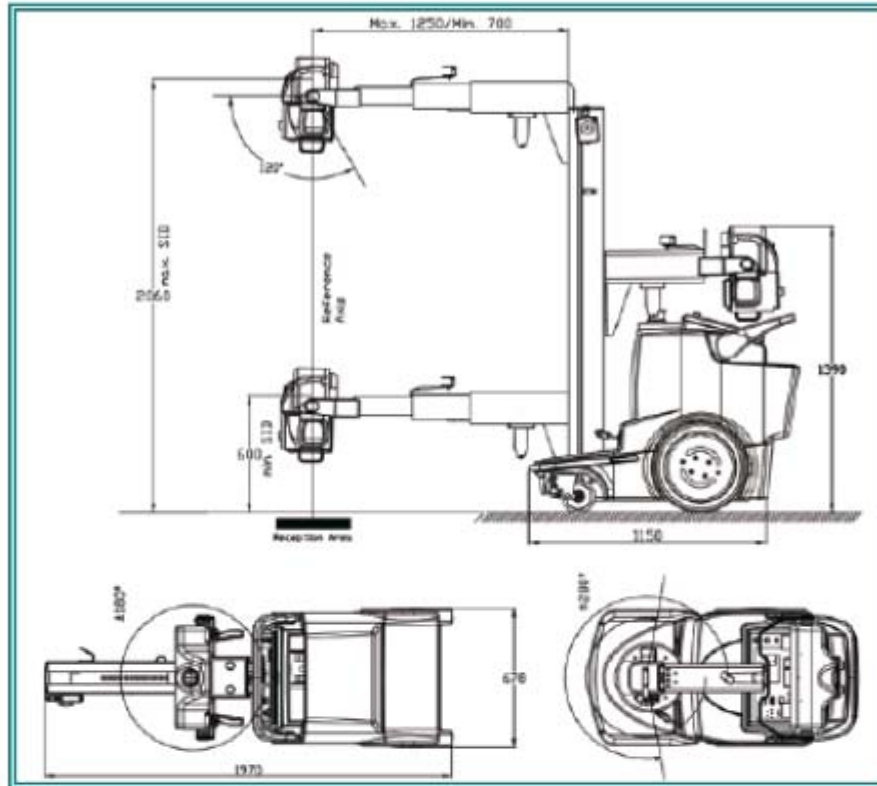
Supplied by **Wolverson X-Ray LTD**

www.wolverson.uk.com

Tel. 01902 63733



OVERALL DIMENSIONS



Supplied by Wolverson X-Ray LTD

www.wolverson.uk.com

Tel. 01902 63733



TECHNICAL DATA

	MOVIX 20	MOVIX 30	MOVIX 40	MOVIX 50
Power	20 kW	32 kW	40 kW	50 kW
kV	from 40 kV to 125 kV	from 40 kV to 150 kV		
mA	from 10 mA to 320 mA	from 10 mA to 500 mA		
Exposure time	from 0.001s to 10 s			
Anatomical protocols	492 views			
X-ray tube	rotating anode			
Focal spot	0.3 mm and 1.0 mm		0.6 mm and 1.2 mm	
Power supply	Single phase from 110 to 230 VAC, (+/- 10%), 50/60 Hz			

Batteries

The unit can be charged in any corridor or room space with normal ventilation. Thanks to an ignition key the mobile can be charge even in stand-by mode. The **Movix series** is fully charged in maximum 5 hours.

OPTIONS

Remote control handswitch (*TechSwitch™*)

Optional cordless handswitch that enables even greater procedural flexibility and radiation protection to the user.



The Dose Area Product (DAP)



Exposure dose is displayed as Dose Area Product (DAP) a version with high resolution is available for paediatrics applications.

Supplied by Wolverson X-Ray LTD

www.wolverson.uk.com

Tel. 01902 63733

