

CS1501

Ceiling tube stand

CE



Equipment description

Ceiling stand for X-ray tube which, through a new more elegant and modern style, proposes the improvement of the already appreciated functional qualities and reliability of the previous model. The equipment is conceived to adapt itself easily to all installation needs, while its different versions satisfy every use requirement. Together with the here represented classic model with movement by hand, there are models with automatic movement for the alignment to the vertical travel of the digital (or traditional) detectors and for the automatic collimation system management.

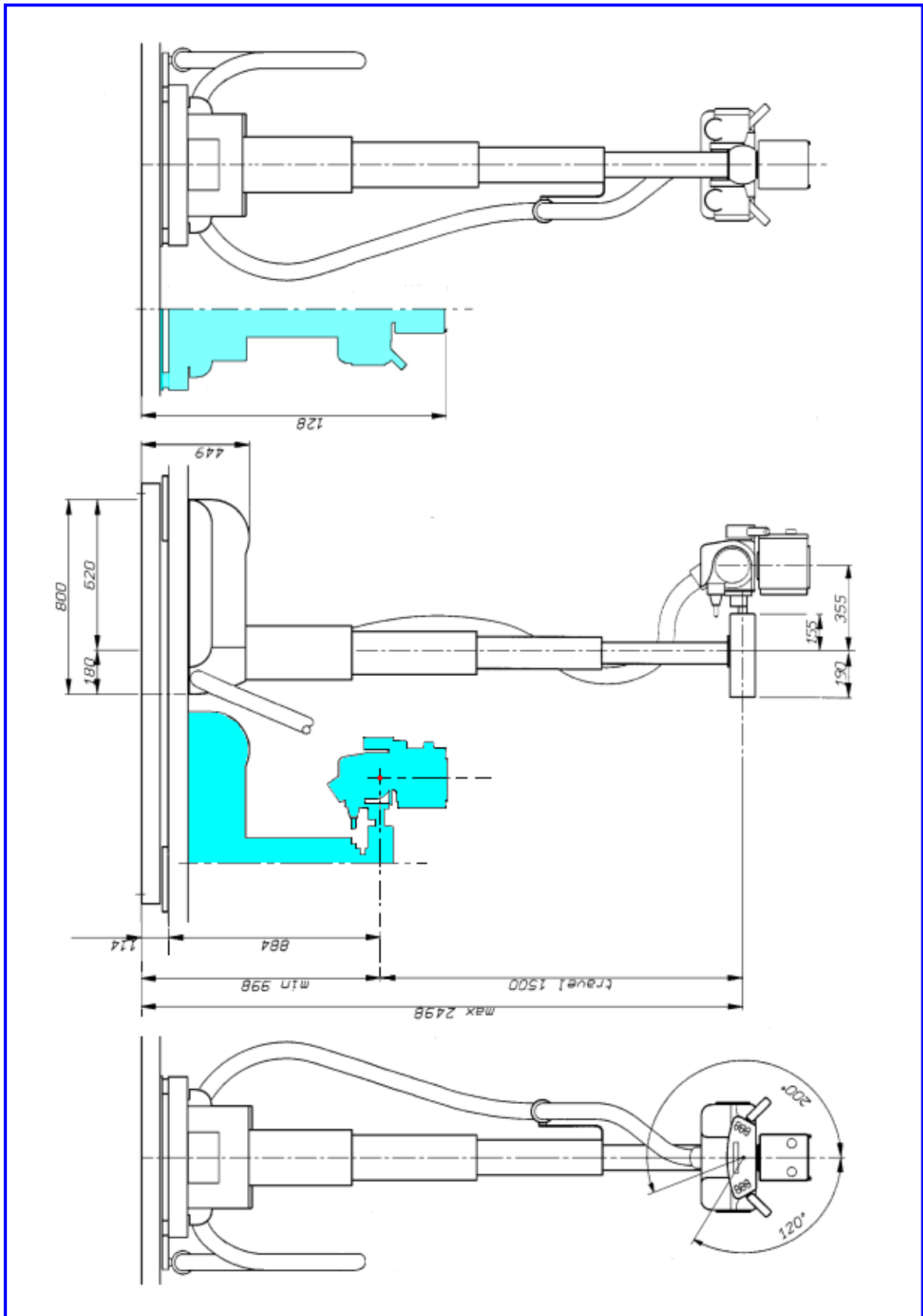
Features

Longitudinal rails	
• Length	440 cm
Transversal bridge	
• Rail length	300 cm
• Travel of transversal bridge on the longitudinal rails	350 cm
• Kind of movement / braking	manual / electromagnetic
• Mechanical position indicator equipped	1
Carriage	
• Carriage travel on transversal bridge	218 cm
• Kind of movement / braking	manual / electromagnetic
Telescopic stand	
• Number of elements that compose the telescope	4 in aluminium extruded profile
• Vertical travel	150 cm
• Kind of movement	manual
• Kind of balancing	by springs and counterweights
• Braking	electrical with permanent magnet
• Average speed of vertical movement (motorized version)	7 cm/s
Tube arm support	
• Angle of rotation around the telescope vertical axis	+200° -135° or +140° -205°
• Angular positions mechanically detected	every 90°
• Angle of rotation around the horizontal axis	+120° -200° or +210° -110°
• Angular positions mechanically detected	every 90°
• Braking of rotation movements	electrical with permanent magnet
Front tube control box	
• Grips for movements	Covered in synthetyc rubber
• Push buttons to unlock the brakes	in ergonomic position
• Focus to film distance and incidence values indicator	LCD 1x20 characters
Powering	
• Voltage / frequency	230 (220/240) Vac 50/60Hz
• Max. absorbed power	300 VA (lamp of diaphragm of 100 W max included)
Colours	
• Painted parts	RAL 9002
• Adhesive membrane	gray
Weights	
• Rails and transversal bridge	175 kg
• Stand	140 kg
Equipment identification	
• Classification	(according to EN 60 601)
• Typology of installation	class I type B
• Typology of installation	permanently connected
• Operation mode	continuous with intermittent load
Standard compliance	
• Safety	EN 60 601
Transport and stock environment	
• Temperature range	0 °C ÷ 50 °C
• Relative humidity range (without condensation)	10 % ÷ 90 %
• Atmospheric pressure range	500 hPa ÷ 1100 hPa
Operative environment	
• Temperature range	10 °C ÷ 40 °C
• Relative humidity range	30 % ÷ 75 %
• Atmospheric pressure range	700 hPa ÷ 1100 hPa

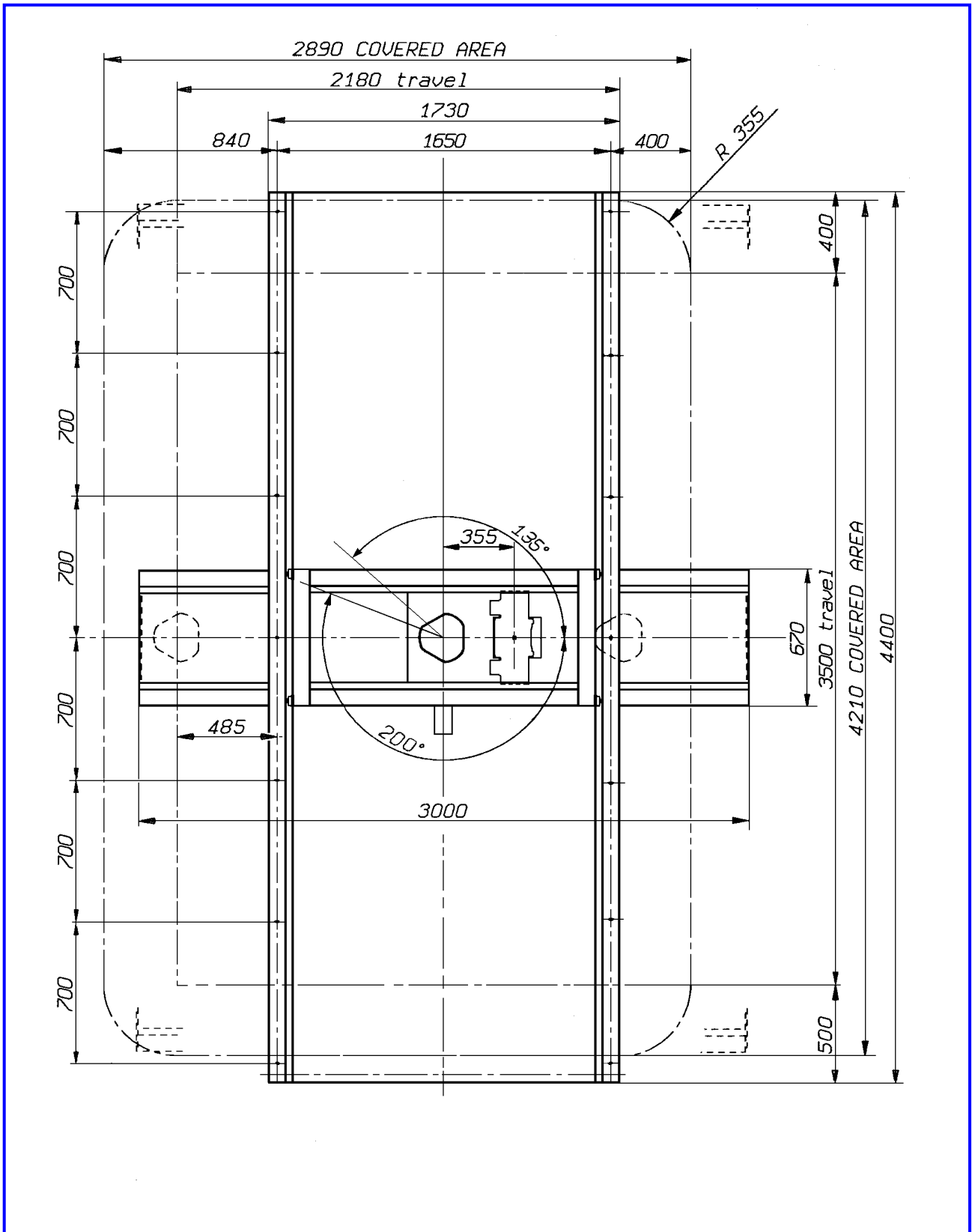
Options and accessories on request

Push-button control box at opposite tube side	Longitudinal rails extension of 140, 280 or 420 cm
X-ray tube swan neck support	Transversal bridge extension up to 380 cm
Telescope vertical travel of 120 cm	X-ray housing plastic cover
Telescope vertical travel of 180 cm	Longit. and trasversal braking by permanent magnets
Addition of the vertical movement by motor	
Enslaved vertical movement to the vertical movement of a receptor (bucky, flat panel, CCD etc.)	
Enslaved vertical movement to the dimension and position of the selected exposure field on the digital receptor	
Manual or automatic collimation system	

CS1501 Front View



CS1501 Plant View



M.T. Medical Technology S.r.l. Via Friuli 6/2 – 20046 Biassono MI
 ☎ +39 039 2494841 e-mail mt@emmetisrl.com web www.emmetisrl.com 📠 +39 039 2499003

